



**One Piece
Cutting Torch**
Cuts 300 mm

QUALITY GAS EQUIPMENT

tesuco.com.au

One Piece Cutting Torch

Cuts 300 mm

Key Features

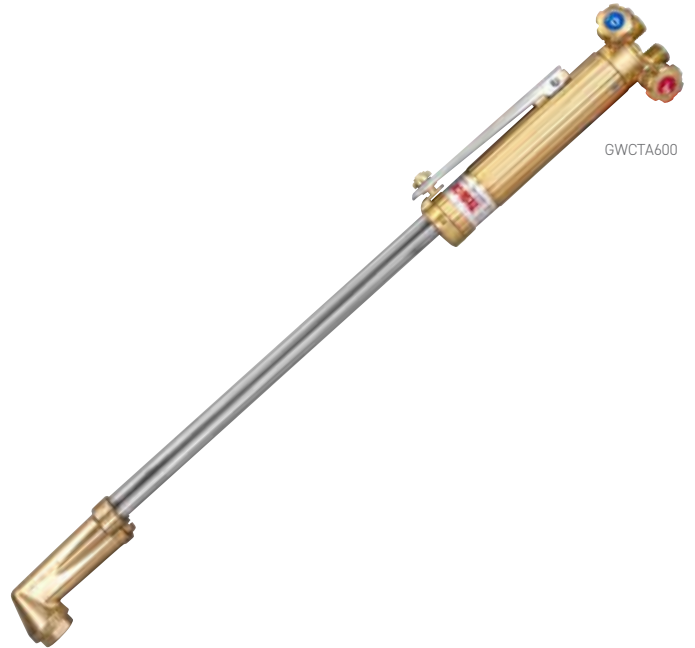
- Gas specific injector designed for maximum efficiency
- For cutting up to 300 mm and for gouging applications
- 90° and 180° Head configurations
- Three standard lengths
- Available for either oxygen/acetylene or oxygen/LpG service
- Brass handle, tube supports and cutting head
- Spare parts available
- Stainless steel tubing in a triangular configuration for strength
- Stainless steel lever and tubes
- Colour box for 600 and 1000 mm torches.

600 mm LONG

90° Head

Dimensions: (L) 600 x (H) 90 x (W) 60 mm

Weight: 1.43 kg



SCAN HERE



PART NO	DESCRIPTION
GWCTA600	Oxygen/Acetylene 600 mm 90° head
GWCT600	Oxygen/LpG 600 mm 90° head

2 METRE LONG

90° Head

- Ideal length for scrapyards
- Custom handle to improve ergonomics and torch control

Dimensions: (L) 2000 x (H) 90 x (W) 60 mm

Weight: 2.71 kg



One Piece Cutting Torch

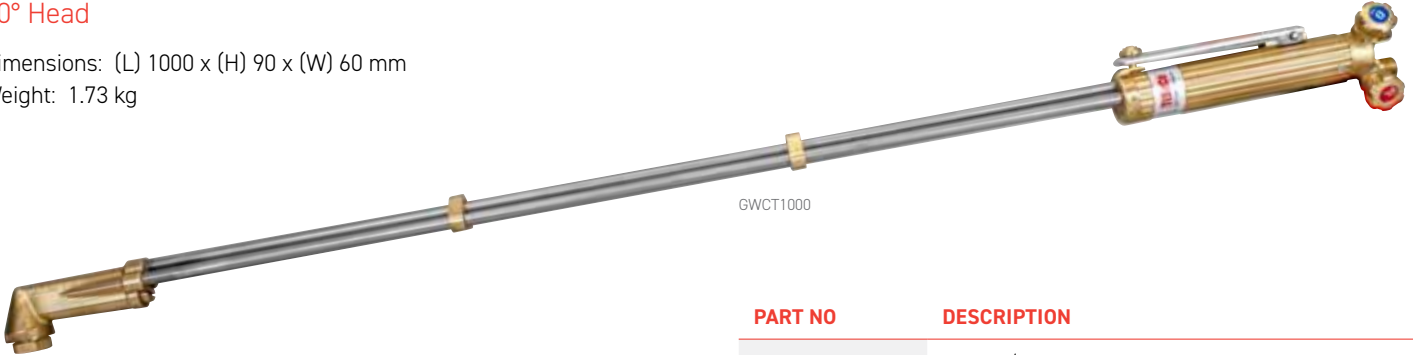
Cuts 300 mm

1 METRE LONG

90° Head

Dimensions: (L) 1000 x (H) 90 x (W) 60 mm

Weight: 1.73 kg



GWCT1000

PART NO	DESCRIPTION
GWCTA1000	Oxygen/Acetylene 1000 mm 90° head
GWCT1000	Oxygen/LpG 1000 mm 90° head

1 METRE LONG

180° Head

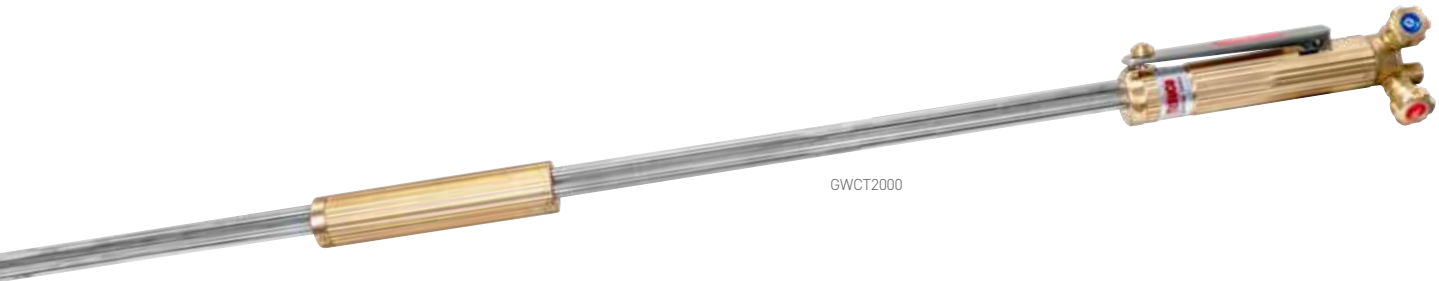
Dimensions: (L) 1000 x (H) 90 x (W) 60 mm

Weight: 1.86 kg



GWCT1000S

PART NO	DESCRIPTION
GWCTA1000S	Oxygen/Acetylene 1000 mm 180° head
GWCT1000S	Oxygen/LpG 1000 mm 180° head



GWCT2000

PART NO	DESCRIPTION
GWCTA2000	Oxygen/Acetylene 2000 mm 90° head
GWCT2000	Oxygen/LpG 2000 mm 90° head

One Piece Cutting Torch

Cutting Nozzles

STYLE 41

Oxygen/Acetylene



GWSMNA6



GWCNA32B



GWCNA32

PART NO <small>Note: Add 'B' to part number for brass finish.</small>	MAX PLATE THICKNESS (mm)	NOZZLE SIZE	PRESSURE (kPa)		TYPICAL CONSUMPTION (L/min)		
			OXYGEN	ACETYLENE	OXYGEN	ACETYLENE	
GWSMNA6	Sheet metal	6	200	100	9	1.5	■ ● ▲
GWCNA06 (B)	6	6	200	100	11	2	■ ● ▲
GWCNA08 (B)	10	8	200	100	20	3.5	■ ● ▲
GWCNA12 (B)	20	12	250	100	38	4	■ ●
GWCNA15 (B)	75	15	350	100	75	7	■
GWCNA20 (B)	125	20	400	100	134	9	■
GWCNA24	200	24	500	100	232	12.5	■
GWCNA32	300	32	600	100	420	20	

Acetylene cylinder guide for safe use, refer to your gas supplier.

G = ■ E = ● D = ▲

STYLE 44

Oxygen/LpG



GWCNL08

PART NO	MAX PLATE THICKNESS (mm)	NOZZLE SIZE	PRESSURE (kPa)		TYPICAL CONSUMPTION (L/min)	
			OXYGEN	LpG	OXYGEN	LpG
GWCNL06	6	6	200	100	17	2
GWCNL08	12	8	200	100	30	3.5
GWCNL12	20	12	250	100	58	4.5
GWCNL15	75	15	400	100	99	5.5
GWCNL20	125	20	400	100	171	6.5
GWCNL24	200	24	500	100	256	9
GWCNL32	300	32	600	100	456	14

Note: Typical consumption rates have been listed, but may vary depending on environmental conditions and equipment setup.

One Piece Cutting Torch

Gouging Nozzles

OXYGEN/ACETYLENE



GWGNA32



GWGNA32S



GWGNA48

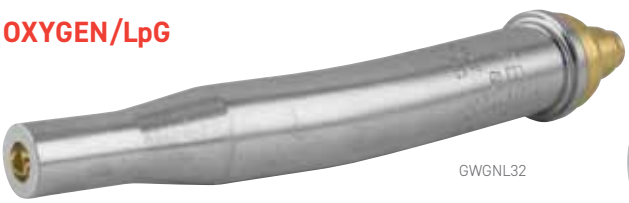
i Due to the high consumption of gas, check with your cylinder supplier to see if the cylinder can deliver these flow rates.

PART NO	TYPE	NOZZLE SIZE	PRESSURE (kPa)		TYPICAL CONSUMPTION (L/min)		
			OXYGEN	ACETYLENE	OXYGEN	ACETYLENE	
GWGNA32	Bent	32	500	100	61	15	■
GWGNA32S	Straight	32	500	100	61	15	■
GWGNA48	Bent	48	600	100	85	18	

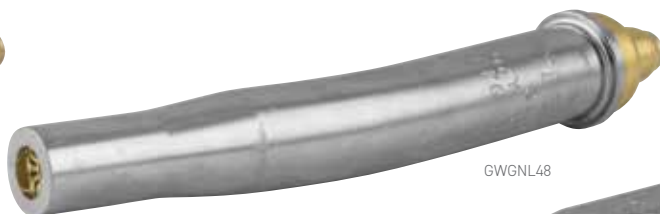
Acetylene cylinder guide for safe use, refer to your gas supplier.

G = ■ E = ● D = ▲

OXYGEN/LpG



GWGNL32



GWGNL48



GWGNL32S

i Due to the high consumption of gas, check with your cylinder supplier to see if the cylinder can deliver these flow rates.

PART NO	TYPE	NOZZLE SIZE	PRESSURE (kPa)		TYPICAL CONSUMPTION (L/min)	
			OXYGEN	LpG	OXYGEN	LpG
GWGNL32	Bent	32	500	100	94	12
GWGNL32S	Straight	32	500	100	94	12
GWGNL48	Bent	48	600	100	120	13

NOZZLE NUT

Suits all nozzles

PART NO

SPCANN



TIP CLEANING SET

PART NO

GWTC



One Piece Cutting Torch

Flashback Arrestors

Flashback arrestors must be fitted to all gas equipment to comply with Australian standard AS 4839. The IBEDA flashback arrestors fully comply with AS 4603 and the requirements set in AS 4839.

All IBEDA flashback arrestors have been product certified to AS 4603 by BAM, The Federal Institute for Materials Research and Testing in Berlin, Germany.

STANDARD FLOW TORCH END

PART NO	DESCRIPTION
FTSOD	Oxygen
FTSFD	Fuel Gas
FTSQD1D	Oxygen with quick action couplings and pin
FTSFQD1D	Fuel Gas with quick action coupling and pin



MEDIUM FLOW TORCH END

PART NO	DESCRIPTION
FTMOD	Oxygen
FTMFD	Fuel Gas
FTMQD1D	Oxygen with quick action couplings and pin
FTMFQD1D	Fuel Gas with quick action coupling and pin



HIGH FLOW TORCH END

PART NO	DESCRIPTION
FTHFD	Oxygen
FTHOD	Fuel Gas



COUPLING PINS

PART NO	DESCRIPTION
QPODF5	Oxygen coupling pin
QPFDF5	Fuel Gas coupling pin



Note: All coupling pins and couplers meet EN 561 / ISO 7289

One Piece Cutting Torch Accessories

TRIPLE FLINT LIGHTER



PART NO	DESCRIPTION	QTY
GWTF	Flint gun triple flint	1
GWTFR	Triple flint replacement	4

SPARKI

Hands free igniter for welding and cutting torches. Simply attach to the work bench or anywhere that is metal on the work site, turn on the fuel gas then push the tip into the igniter to light the flame and then adjust the oxygen at the same time without the need to hold the lighter.

PART NO	DESCRIPTION
SPT031	30 mm Magnetic base
SPT051	50 mm Magnetic base
SPT101	100 mm Steel base



WELDING GOGGLES

Shade 5

PART NO
GWGP



TWIN HOSE ASSEMBLY 5 mm ID

Oxygen/Acetylene

PART NO	SIZE
GWTWOA5	5 m
GWTWOA10	10 m
GWTWOA15	15 m
GWTWOA20	20 m



Note: Also available in 10 mm ID

GAS CONTROL

Leak spray suitable for all gases including oxygen.

Sold to distributors in a display pack of 12 units.

PART NO
OTLDS



TWIN HOSE ASSEMBLY 5 mm ID

Oxygen/LpG

PART NO	SIZE
GWTWOL5	5 m
GWTWOL10	10 m
GWTWOL15	15 m
GWTWOL20	20 m



Note: Also available in 10 mm ID

ROLLER GUIDE & RADIUS BAR

PART NO	DESCRIPTION
GWRB	Radius bar and pivot
GWRG	Roller guide
GWRGR	Roller guide with radius bar and pivot



Registered Trademarks

Tesuco®

Bevline®

Leakxpose®

Flame///Pro®

Flame Pro™

FLAME  **PRO**

 TESUCO TECHNICAL SUPPLIES COMPANY	HOSPITALITY
	GAS SAFETY
	INDUSTRIAL
	SCIENTIFIC
	MEDICAL

Phone +61 2 9737 9937
Email sales@tesuco.com.au
Website tesuco.com.au

The information in this brochure is to be used as a guide only.
The ultimate responsibility for safe use of the equipment lies with the operator. In the interest of constant improvement in quality and design, product specifications may change at any time, without notice. E&OE

DISTRIBUTED BY

